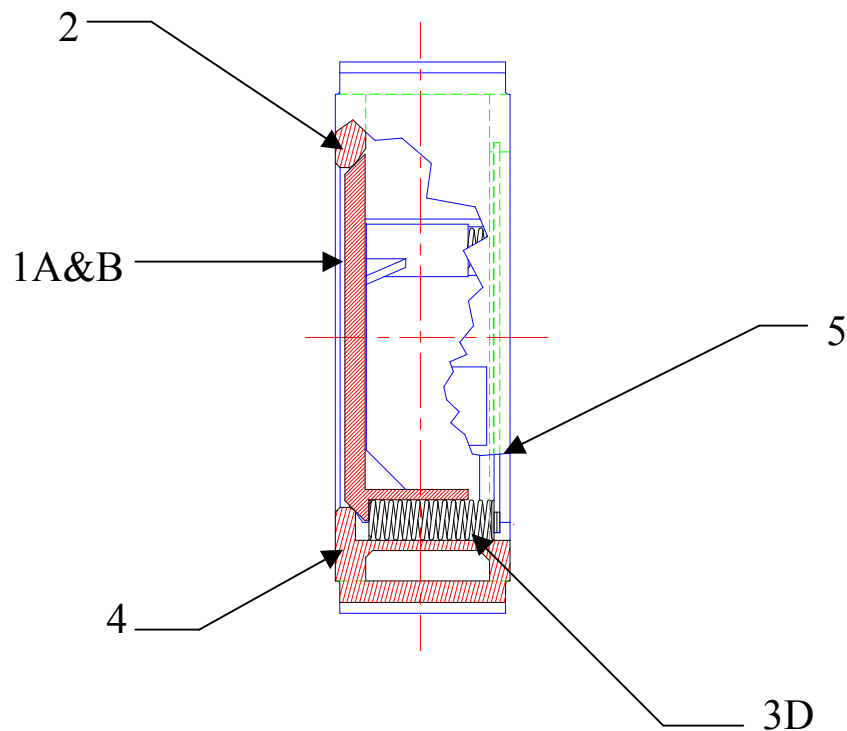
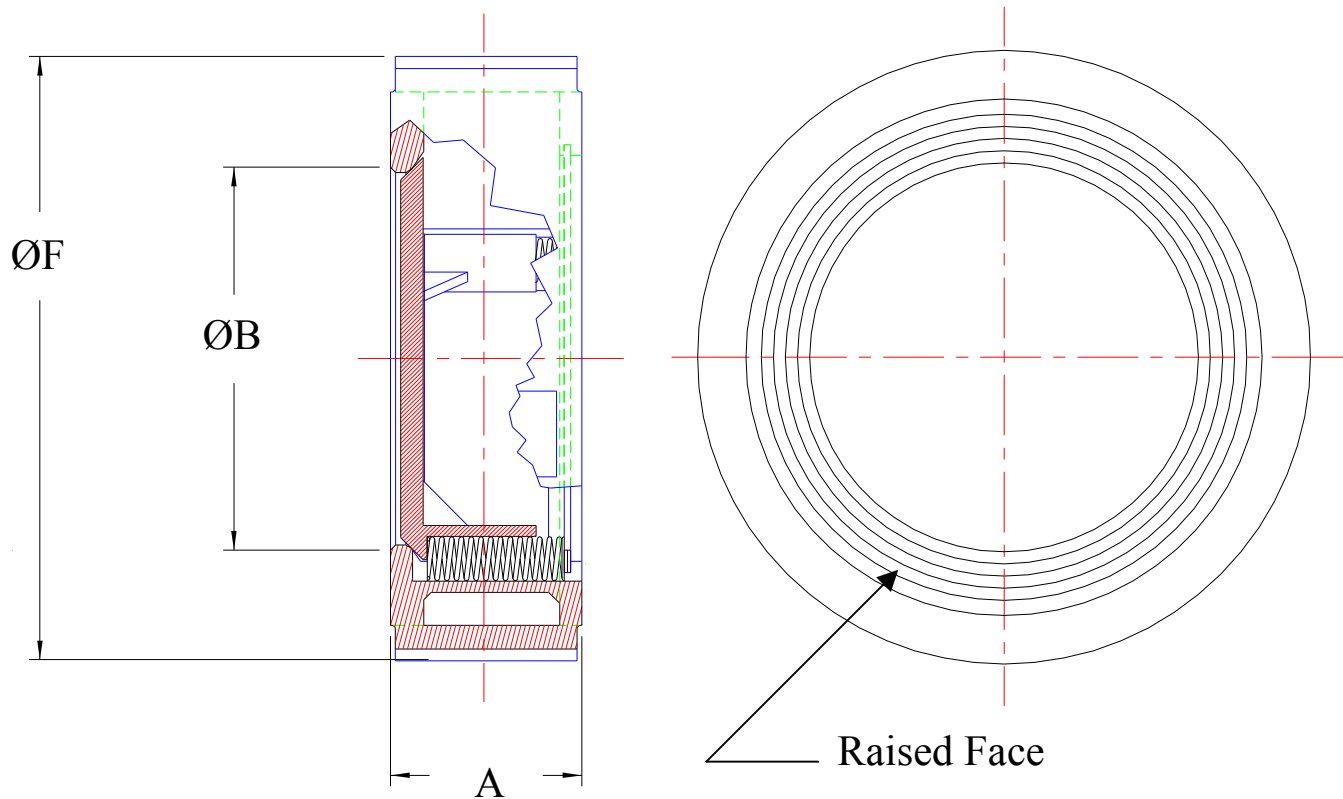




PC SERIES PISTON CHECK VALVES

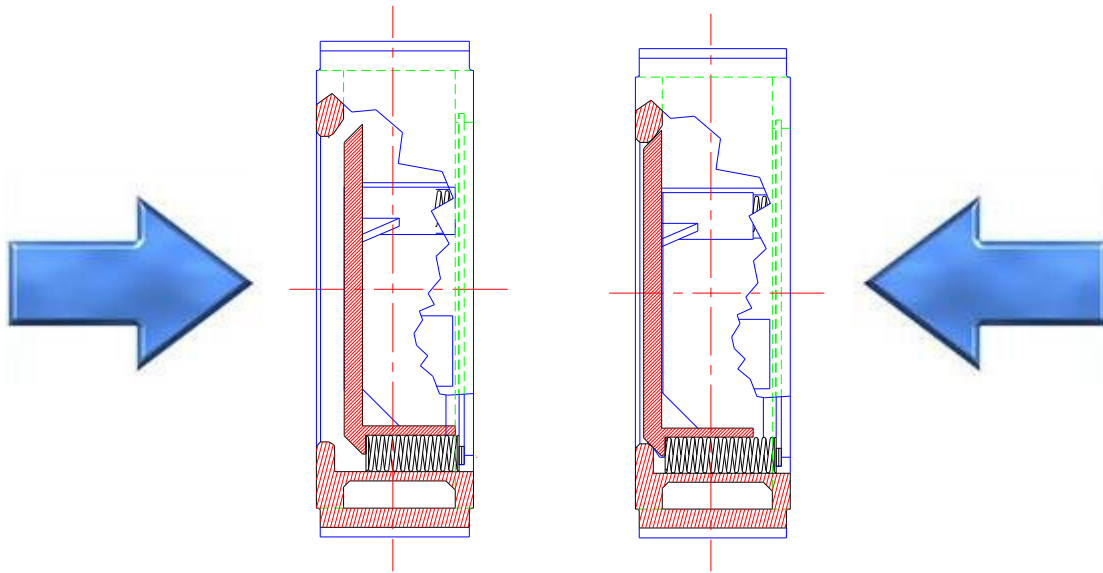


	DESCRIPTION	MATERIALS
1A	PLUG	316SS, INCONEL, TITANIUM, HASTELLOY, ZIRCONIUM
1B	PLUG COATING	HARD CHROME, STELLITE, COLMONOY, CHROME CARBIDE
2	SEAT	TFE, 316 SS, INCONEL, TITANIUM, HASTELLOY, ZIRCONIUM
3D	SPRINGS	301 SS, 316 SS, INCONEL 718, HASTELLOY
4	BODY	CARBON STEEL, 316 SS, INCONEL, TITANIUM, HASTELLOY, ZIRCONIUM
5	RETAINING RING	316 SS, INCONEL, TITANIUM, HASTELLOY, ZIRCONIUM



SIZE	A	ØB	ØF	Ø RAISED FACE
½	2.50	0.50	2.13	1.38
¾	2.50	0.75	2.62	1.69
1	2.50	1.00	2.87	2.00
1-½	2.88	1.50	3.74	2.88
2	2.88	2.00	4.38	3.63
3	3.00	3.00	5.86	5.00
4	3.00	4.00	7.13	6.19
6	4.00	6.00	9.87*	8.50
8	5.00	8.00	12.13*	10.62
10	6.00	10.00	14.25*	12.75

*Locators are provided for ANSI 600# to center the valve between the flange bolts
 For ANSI 150# the body has grooves which match the flange bolts to act as a guide



NORMAL FLOW

The flow acts upon the piston and compresses the springs. This unseats the piston allowing the flow media to move downstream

BACK FLOW

The flow acts upon the piston and seats the piston with the aid of the spring force.

FEATURES

Sealing Capabilities

The Seat is at an angle which prevents media from building up. As back flow occurs, the seat is flushed clean prior to contact with the piston.

Full Area Flow

The Port opening on the valve is a full port. This is unlike other piston check designs which have a reduced port opening. Thus, more flow is available with the Jarecki Piston Check Valve. Please note, however, some of our designs are standard port. Please specify upon your inquiry if you have a preference.

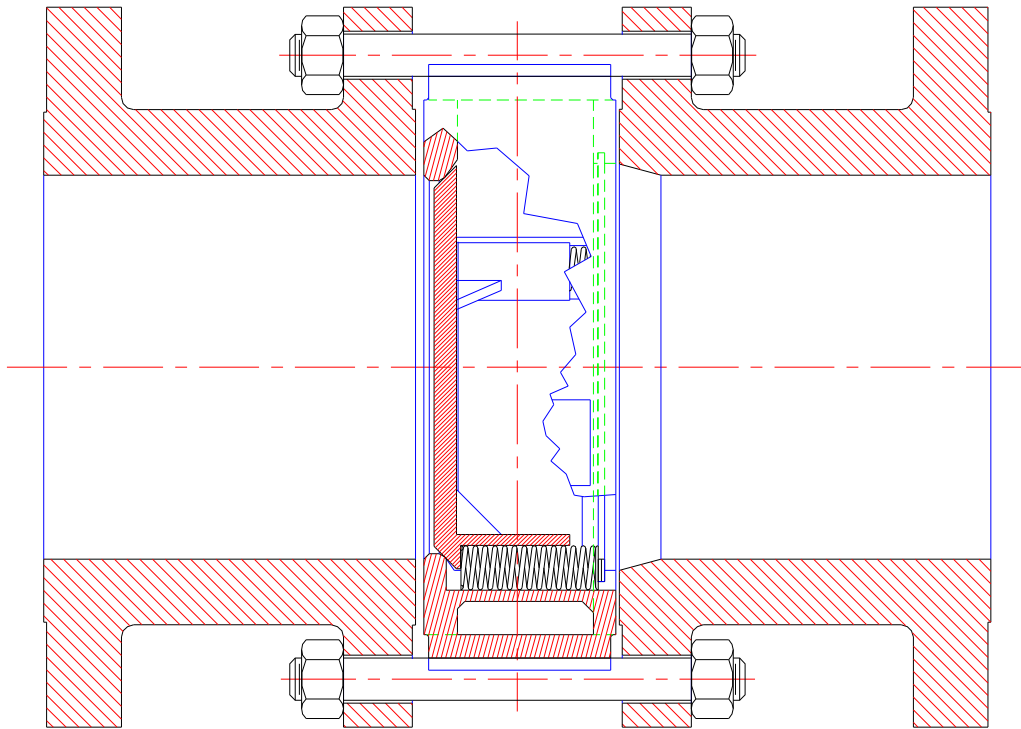
Compact Design

The relatively small size of the valve makes it easy to install and handle. The light weight construction also makes it cost competitive.

Spring Loaded

The piston is spring loaded so that the valve can be mounted vertically or horizontally. The springs are contained with minimal area exposed to the media. Guides properly locate the piston during the closed and open position. This prevents the piston from binding up inside the valve and insures a good, reliable shutoff.

OPTIONS



The PC Series can also be provided with the following end connections:

- Socket Weld
- Butt Weld
- R.F. Flanged
- R.T.J. Flanged
- Threaded

For Flanged and Butt Weld end connections, the end-to-end length of the valve matches ANSI standards. Socket Weld and Threaded dimensions are available upon request. When the valve is ordered with any of these connections, it becomes a 3-piece valve.

