



HIGH PRESSURE WELDED END BALL VALVES HTV SERIES 1500# Through 4500#



The Jarecki HTV Series are severe service ball valves. This Series was specifically designed to handle high temperatures and pressures. These valves provide the tightest shutoff for the longest period of time in very severe applications. The HTV is engineered and built to withstand temperature fluctuations and pressure surges better than any other valve on the market.

Tight Shut-Off

- The HTV Series provides zero leakage. Each ball is spherically ground before it is mated to the seats, providing a high precision seal. A wide seating surface provides more seal area and lower contact stress. The lower contact stress reduces torque and improves valve sealing life. Lower torques and better shut-off.

Lower Torque

- Wide seating area reduces contact stress. This reduces the torque and improves valve life.
- A wave spring is used to load the upstream seat. This spring type is a superior choice in maintaining spring force during temperature fluctuations.

Impressive Stem Design

- Our stems will withstand high torque in rough applications without shearing.
- Blow-Out proof design insures workman safety

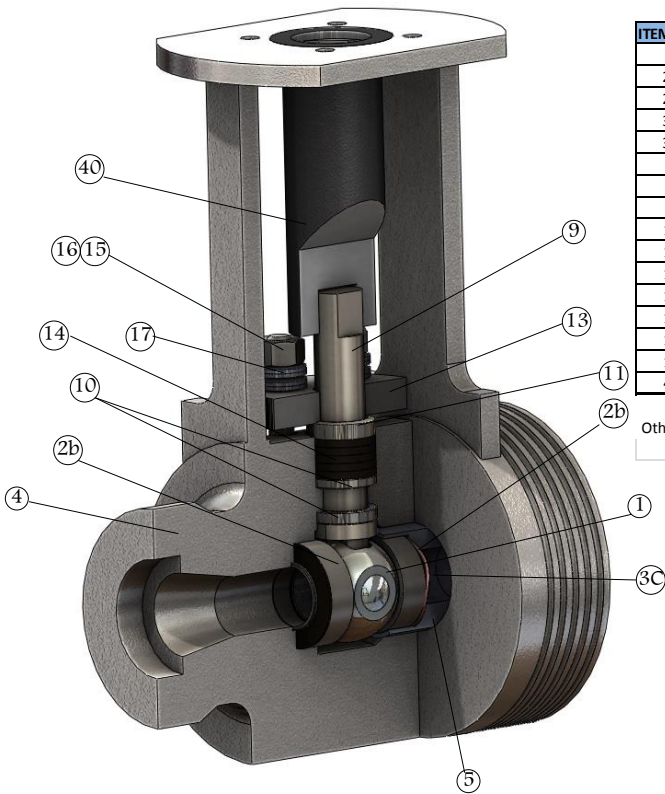
Zero Body Leakage

- Valve is a one piece body design. There are **no** body gaskets which can produce a possible leak path.

Packing Design

- Live loaded packing system specially designed for high pressure applications
- Bearing guided coupler prevents any lateral movement when stroking.
- Plenty of adjustment.

BILL OF MATERIAL



ITEM NO.	NAME	A105 CARBON STEEL	F-22
1	BALL	17-4SST W/ HCP	718 INCONEL W/ CHROME CARBIDE
2A	GUIDE SEAT	COLMONOY	718 INCONEL W/ CHROME CARBIDE
2B	SEAL SEAT	COLMONOY	718 INCONEL W/ CHROME CARBIDE
3A	SEAT SEAL	GRAPHITE	GRAPHITE
3C	SEAT SPRING	17-7 SST	A-286
4	BODY	A105	F/22
5	SEAT GUIDE	410 SST	410 SST
9	STEM	17-4SST	INCONEL 718
10	THRUST WASHER	NITRONIC 60	STELLITE
11	COMPRESSION RING	316 SST	316 SST
13	COMPRESSION PLATE	316SST	F-22
14	STEM PACKING	INCONEL REINFORCED GRAPHITE	INCONEL REINFORCED GRAPHITE
15	GLAND STUD	ASTM A193 Gr. B8M	ASTM A193 Gr. B8M
16	GLAND NUT	ASTM A194 Gr. 8M	ASTM A194 Gr. 8M
17	BELLEVILLE WASHER	17-7SST	INCONEL 718
40	COUPLER	STEEL	410SST

Other materials and coatings available upon request

Packing System

➊ Blow-Out proof stem design to ensure workmer safety.

➋ Tight tolerance between the highly polished stem and the double thrust washers prevents lateral stem movement.

➌ 4 Bolt Live-Loaded Inconel reinforced stem packing to compensate for temperature fluctuations and normal wear.

Reliable Shut-Off

➍ Tight shut-off is accomplished by grinding every ball to very tight tolerances and excellent finish, generating a true radius each individual seat to its mating ball, and then carefully lapping them together through our proven polishing process.

➎ Every component in the assembly is dimensionally inspected prior to assembly to ensure the valve will assemble and function to it highest capabilities.

➏ Every valve that leaves the plant has both a hydrostatic, torque and cycle test, and seat leakage test performed on it. The customer is assured a good valve when it is put in service.

➐ Standard Shut-Off is Class VI. ISO 5208 Rate A,B,C and ANSI Class VI available As Options.

PATENTED PHANTOM PORT

- Standard on HTV Series Valves
- 75% Less Wear on Seats on every cycle
- Critical To Lasting Performance On High Pressure High Temperature Applications
- Great for High Cycle Valves
- Decreases costly down time

Quality

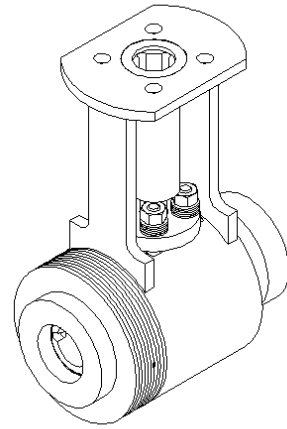
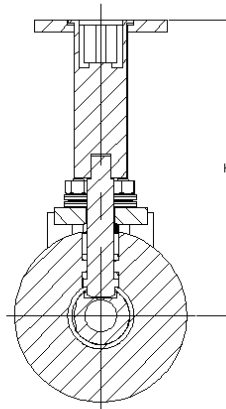
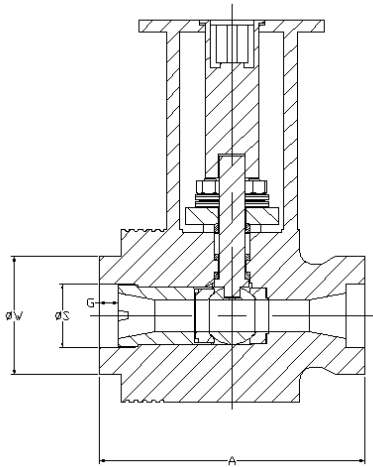
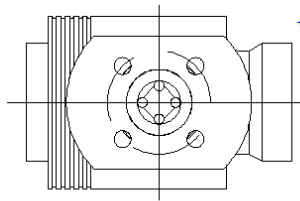
➑ In Metal Seat Valves, .003 of an inch can make all the difference in torque, shut-off and overall valve performance. At Jarecki Valves, the internal assembly of the ball and seats is verified as a unit to ensure proper valve performance.

➒ The employees at Jarecki Valves are not just machinists and assemblers, but are experienced valve producers. Machinists are trained to understand the purpose and importance of the parts which they produce inside the function of the valve. Experience, Cross training and retention are key in having exceptional employees making an exceptional product.

➓ At Jarecki Valves, 95% of our business is metal seated ball valves. The employees understand and excel at producing the highest quality metal seated valve available.

➔ Production for every major component is done at our facility by experienced technicians. We do not risk the quality of our product to the lowest bidder or importer.

DIMENSIONS



2500# A105

SIZE	A	K	S	W	G	WEIGHT
1/2"	5.50	6.25	0.85	2.25	0.44	21.00
3/4"	5.50	6.25	1.07	2.25	0.51	22.00
1"	5.50	6.25	1.33	2.25	0.51	27.00
1 1/2"	7.50	6.50	1.91	3.00	0.62	37.00
2"	7.50	6.75	2.41	3.75	0.69	44.00

1500# & 2500# F-22/F-91

SIZE	A	K	S	W	G	WEIGHT
1/2"	6.50	10.00	0.85	2.25	0.44	24.00
3/4"	7.00	10.00	1.07	2.25	0.51	25.00
1"	8.00	10.25	1.33	2.25	0.51	30.00
1 1/2"	10.00	10.50	1.91	3.00	0.62	40.00
2"	10.00	10.75	2.41	3.75	0.69	48.00

3200# F-22/F-91

SIZE	A	K	S	W	G	WEIGHT
1/2"	6.50	10.00	0.85	2.60	0.44	28.00
3/4"	7.00	10.00	1.07	2.60	0.51	29.00
1"	8.00	10.50	1.33	2.65	0.51	35.00
1 1/2"	10.00	10.75	1.91	3.50	0.62	45.00
2"	10.00	10.88	2.41	4.00	0.69	55.00

4500# F-22/F-91

SIZE	A	K	S	W	G	WEIGHT
1/2"	6.50	10.25	0.85	2.13	0.44	30.00
3/4"	7.00	10.25	1.07	2.13	0.51	32.00
1"	8.00	10.75	1.33	2.75	0.51	38.00
1 1/2"	10.00	10.88	1.91	3.75	0.62	52.00
2"	10.00	11.13	2.41	4.55	0.69	60.00

AVAILABLE IN THE FOLLOWING VALVE SIZES

BORE SIZE	1/2"			3/4"			1"			1 1/2"			2"			2 1/2"		
	2500	3200	4500	2500	3200	4500	2500	3200	4500	2500	3200	4500	2500	3200	4500	2500	3200	4500
0.5	YES	YES	YES	YES	YES	YES	X	X	YES	X	X	X	X	X	X	X	X	X
0.63	X	X	X	YES	YES	YES	YES	YES	YES	YES	YES	X	X	YES	X	X	X	X
0.88	X	X	X	X	X	X	X	X	X	YES	YES	YES	YES	YES	X	YES	YES	YES
1.2	X	X	X	X	X	X	X	X	X	YES	X	X	YES	YES	YES	YES	YES	YES
1.5	X	X	X	X	X	X	X	X	X	X	X	X	X	X	YES	YES	YES	YES

ORDERING INFORMATION

2 - HTV

C

0.88

3

SIZE	SERIES	BODY AND TRIM SELECTION			SEAT	PRESSURE CLASS	OPTIONS
1/2"	HTV	B	A105 BODY/COLMONOY SEAT/CHROME COATED BALL	0.50	.5 Bore	1	1500#
TO		C	F-22 BODY/CHROME CARBIDE COATED SEAT AND BALL	0.63	.63 Bore	2	2500#
3		R	F-91 BODY/CHROME CARBIDE COATED SEAT AND BALL	0.88	.88" Bore	3	3200#
				1.20	1.2" Bore	4	4500#
				1.30	1.3" Bore		
				1.50	1.5" Bore		

THE COMPANY

Jarecki Valves has been an American valve manufacturer and rebuilder for more than 40 years, providing customers with high quality metal and soft seated ball, control, and check valves. Jarecki Valves got its start engineering and manufacturing valves for the Navy Nuclear Industry, which involved working with exotic materials and manufacturing valves for critical service. Jarecki is now using the experience in providing quality valves for today's industries.

Jarecki Valves supplies valves to a variety of industries, including Pulp and Paper, Chemical, Petrochemical, Power, Oil and Gas, Mining, and Municipal.

Not only do we support a standard product line, but we also provide services for designing valves for specific applications. Our experienced engineering staff will work one on one with customers to ensure they get the right product. We also provide high alloy valves, valves with hardened surfaces, valves for high temperatures and pressures, and metal seated valves with are bubble tight. For these reasons, Jarecki Valves are trusted in some of the harshest environments.



6910 West Ridge Road
Fairview, PA 16415
814.474.2666 Fax: 814.474.3645
www.JareckiValves.net
Email: Sales@JareckiValves.net

SV SERIES 02-13

THIS BROCHURE IS GENERAL IN NATURE AND MANUFACTURER RESERVES THE RIGHT TO ALTER MATERIALS OR TO MAKE DESIGN IMPROVEMENTS